

## Specifications

### Power

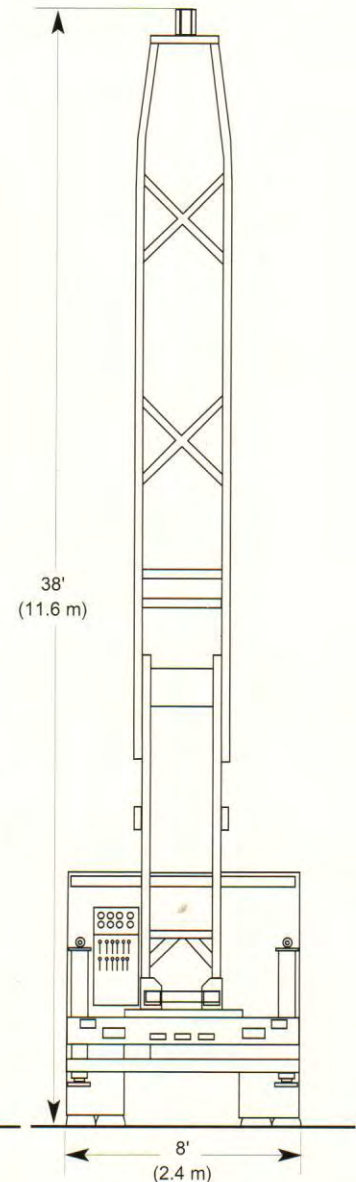
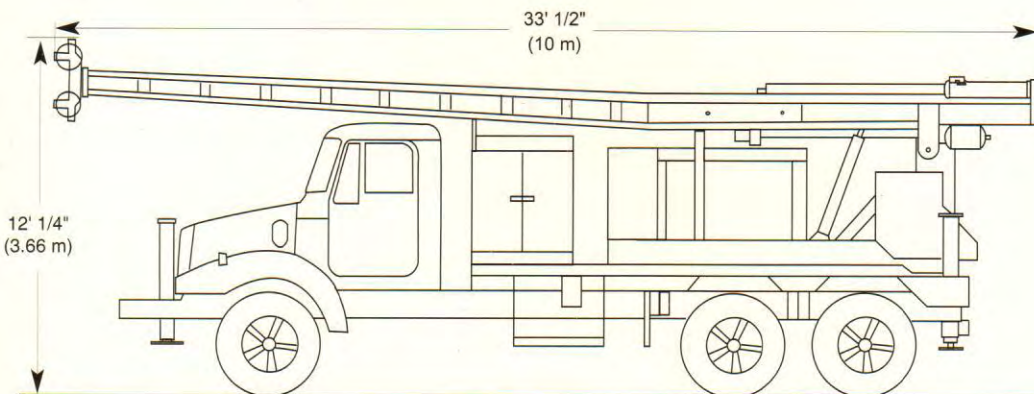
Cummins QSB6.7-TAA Turbocharged and charge air cooled 6 cylinder Tier 3  
U.S. EPA emissions certified diesel engine, rated 250 hp (186 kw)

### Rotary Drive

Power shift transmission .....4 speed fwd, 4 speed rev  
Rotary torque, (standard) .....31,000 ft lbs (42,036 Nm) max  
Rotary speed, (standard).....497 rpm max  
Hollow spindle I.D. ....3 3/4 inch (9.5 cm)

### Hydraulic Feed System

Retract force .....62,830 lbs (28,500 kg)  
Pulldown force .....33,135 lbs (15,030 kg)  
Retract rate (max) .....108 ft/min (33 m/min)  
Feed rate (max) .....97 ft/min (30 m/min)  
Stroke.....6 ft 3 inch (1.9 m)



Typical tandem axle truck configuration. Dimensions may vary, depending on truck wheel-base or all-wheel drive applications.

Central Mine Equipment Company manufactures a complete line of drilling equipment for the environmental, geotechnical and water well drilling industries of the world. We have been a leader in drilling product quality, innovation and service for over seventy five years.



### CENTRAL MINE EQUIPMENT COMPANY

4215 Rider Trail North, Earth City (St. Louis), Missouri, 63045 USA  
Phone: 314-291-7700 • 1-800-325-8827 • FAX: 314-291-4880  
E-mail: [info@cmeco.com](mailto:info@cmeco.com) • Website: [www.cmeco.com](http://www.cmeco.com)